



## GO<sup>2</sup> Corner WorkCenter Assembly Manual

# 1. COMPONENTS

## Box (A) Frame and optional accessories

## Box (B) Table top, Support Structure, Cable Outlets (3)

- Unpack and layout all components from box (A). All the fasteners are in individual bags taped to the relative component.

- Frame 1 & 2
- (4) short feet, (2) long feet

Options:

- Monitor rail
- (3) monitor rail posts
- Cable Tray with or without MBMOU and power strip
- Accessory Boxes

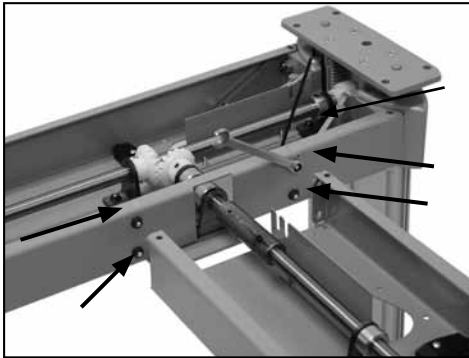
# 2. FRAME LAYOUT

- Position the two frames next to each other. The control panel cable always exits the cross rail at the back of the frame.
- The short feet always attach at the back of the frame. The long feet always attach at front of frame. The center leg always has 2 short feet.
- Raise legs to the highest position. Remove frame covers from both cross rails.

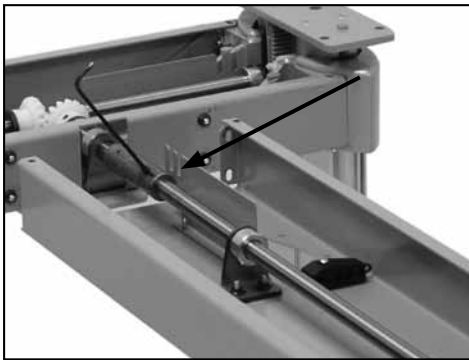


### 3. ATTACHING THE TWO FRAMES

- Remove the 6 T25 screws that secure the top of the frame cover  
Remove the four screws and nuts indicated from Frame 2.



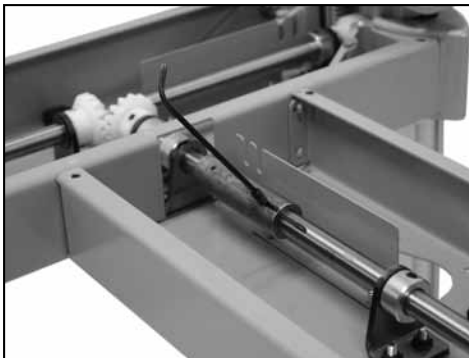
- Remove the threaded pin as indicated from Frame 2.



Make sure all three (3) legs are at the exact same height before connecting the drive shafts together.

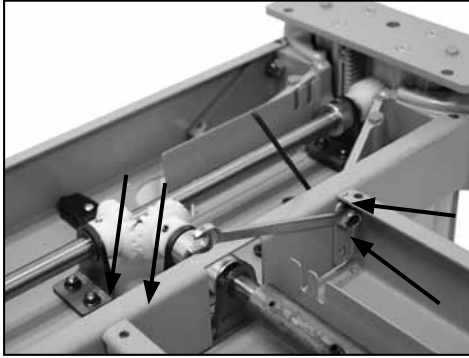


- Now connect the two drive shafts.

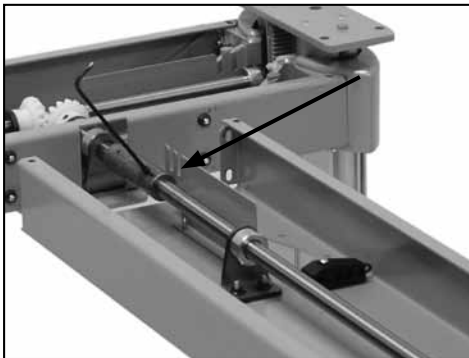


### 3. ATTACHING THE TWO FRAMES

- Tighten the four screws and nuts to both frames.



- Line up the hole in the drive shaft on frame 1 with the hole in the drive shaft of frame 2. (do this by manually raising and lowering the leg on frame 1; it will move freely because it is not attached to the motor)
- Insert threaded pin and tighten.



- Now raise all three (3) legs to the highest position.

## 4. INSERTING GAS CYLINDERS

- Remove top plates on all three legs and insert cylinders (align the bottom of the cylinder by hand-screwing it into the bottom plate until you cannot turn it anymore)



1. Remove 8mm hex nuts (2)



2. Remove T25 screws (4)

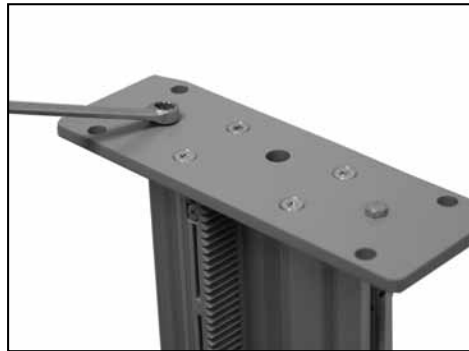


3. Insert cylinder

- Re-attach top leg plates (The two hex nuts should only be snug. Securely tighten the 4 screws)



1. Replace screws



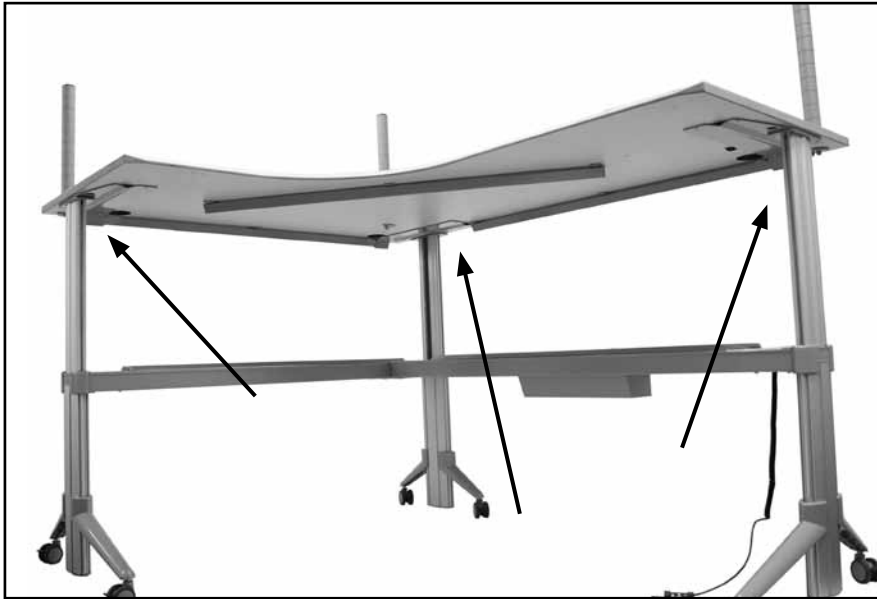
2. Hex nuts should only be snug

- Re-attach cable duct covers and 6 securing screws.

---

## 5. ATTACHING TABLE TOP

- Line up the top to the legs and fasten to all three legs.



- Now you can attach the controls and the desk will be ready for up and down use.

**\*\*NOTE: DO NOT LOWER LEGS BEFORE TOP IS ATTACHED.  
OR APPLY APPROXIMATELY 70LBS OF PRESSURE TO EACH LEG  
WHILE LOWERING.**

---

Heavy Duty  
Height Adjustable Arm  
with 3rd Post  
Installation Instructions

---

## Heavy Duty Height Adjustable Arm with 3rd Support Post(28-EI-RSRC)

**Notice:** Due to the weight of Diagnostic Monitors, specific heavy duty tilter/vesa plate, arm and mounting cup must be used for this equipment. In addition, a specially designed support post (that correctly accommodates mounting of the heavy duty cup/arm assembly) is also required and must be in place directly beneath the monitor/arm assembly. The instructions below present the specific parts and steps required to mount a larger scale Diagnostic Monitor including instructions for converting an existing support post (part# 28-EI-3-RSRC) that might be used as part of the installation.

**Note:** It is critical and a requirement that any diagnostic monitor in excess of 35 pounds be mounted per these instructions.



## 1. Parts List



28-EI-3-RSRC (either previously purchased or included with this order)



Height Adjustable Arm with Tilter



Height Adjustable Arm Mounting Cup



Heavy duty top portion of the rail clamp



(2) of the M5-0.8X50 DIN 12.9 hardened steel bolts for attaching clamp to the rail



(1) #8 metric 1.25x30mm hardened steel countersunk head screw w/12.9 rating

## 2. ASSEMBLY

1. If you currently have a 28-EI-3-RSRC, remove the two silver screws and top portion of the normal rail clamp. This top portion of the clamp should have two screw holes that ARE NOT recessed and NO center threaded hole. Set aside this top piece and the two silver screws



2. Replace the top portion of the clamp with the HD portion using the (2) #4 metric Allen head M5-0.8X50 DIN 12.9 hardened steel bolts in the recessed holes on top of the new HD clamp.



3. Using (1) #8 metric 1.25x30mm hardened steel countersunk head screw, attach the cup portion of the Height Adjustable Arm with a 3/8" Allen wrench to the top clamp. Be sure to position the cup recess over the small steel nipple. Tighten securely to a snug fit.  
Caution: Do not over tighten



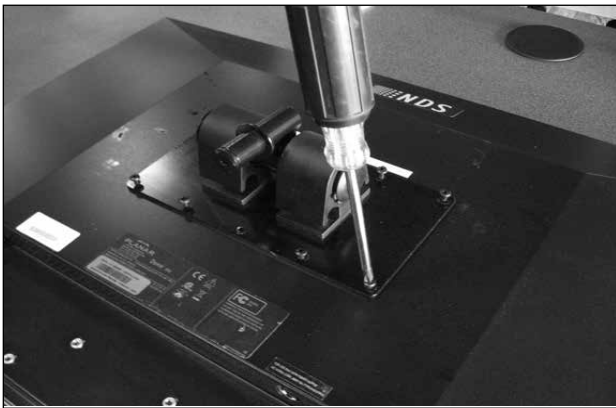
---

## 2. ASSEMBLY (cont.)

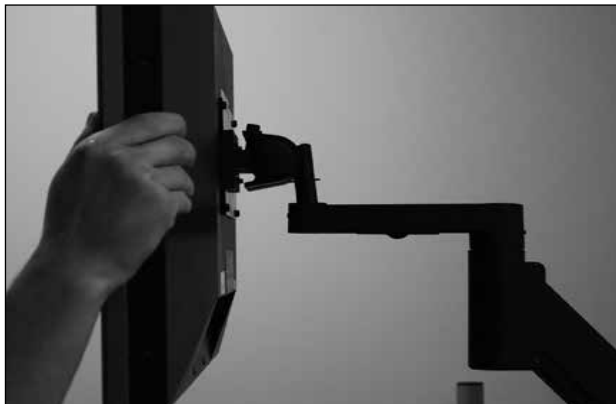
4. Insert the bottom portion of the Height Adjustable Arm into the cup.



5. Attach the provided 100 X 200 vesa plate to the back of the monitor. Use the factory screws when possible. Note: some monitor models may require the back housing to be removed to accommodate the vesa plate (particularly the Barco 6MP Niofusion)



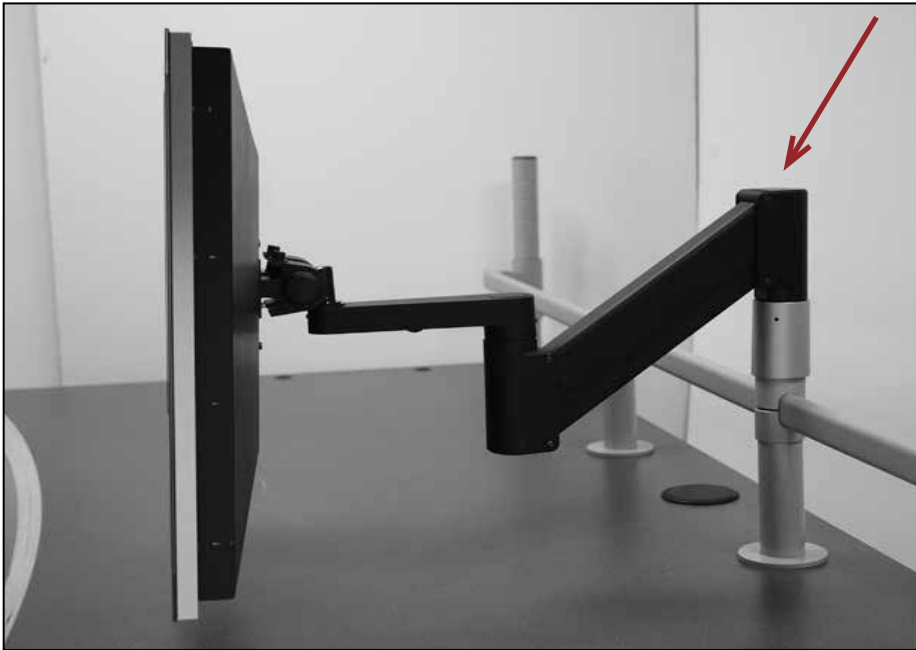
6. The tilter portion of the arm will fit into the top hole of the Height Adjustable Arm. To adjust the tilter use the supplied Allen wrench to tighten or loosen the tilter mechanism for the desired tilt angle of the monitor.



---

## 2. ASSEMBLY (cont.)

7. To calibrate the arm's tension so the monitor will stay in place once positioned, extend the monitor arm fully and position both joints parallel to the desk top. Use the supplied Allen wrench and insert where indicated (with the red arrow). Turn the Allen wrench clockwise to loosen the tension and counterclockwise to tighten the tension. The arm is calibrated when the monitor stays at the level that the user positions it and does not 'drift' when released.



# Certificate of Compliance

Certificate Number 210405 - E254170  
Report Reference E254170, April 1st, 2005  
Issue Date 2005 April 21

Page 1 of 1



*Issued to:*

**LOGICDATA ELECTRONIC & SOFTWARE ENTWICKLUNGS GMBH**

**HINTERLEITENSTR 22A  
A-8523 FRAUENTAL AUSTRIA**

*This is to certify that  
representative samples of*

**Switch mode power supplies for building in**

**LogicS-3-xxxxx-240VA-US; LogicS-3-xxxxx-290VA-US; LogicS-3-xxxxx-340VA-US  
LogicS-3-xxxxx-360VA-US; LogicS-2-xxxxx-240VA-US; LogicS-2-xxxxx-290VA-US  
LogicS-2-xxxxx-340VA-US**

*Have been investigated by Underwriters Laboratories Inc.® in  
accordance with the Standard(s) indicated on this Certificate.*



*Standard(s) for Safety:*

**UL 60950-1 - Information Technology Equipment Safety - Part 1: General  
Requirements  
CSA C22.2 No. 60950-1-Information Technology Equipment Safety - Part 1: General  
Requirements**

*Additional Information:*

Rating(s): All Models: Input 120 V ac, 60 Hz, 6 A;

Only those products bearing the UL Recognized Component Marks for the U.S. and Canada should be considered as being covered by UL's Recognition and Follow-Up Service and meeting the appropriate U.S. and Canadian requirements.

The UL Recognized Component Mark for the U.S. generally consists of the manufacturer's identification and catalog number, model number or other product designation as specified under "Marking" for the particular Recognition as published in the appropriate UL Directory. As a supplementary means of identifying products that have been produced under UL's Component Recognition Program, UL's Recognized Component Mark: , may be used in conjunction with the required Recognized Marks. The Recognized Component Mark is required when specified in the UL Directory preceding the recognitions or under "Markings" for the individual recognitions. The UL Recognized Component Mark for Canada consists of the UL Recognized Mark for Canada:  and the manufacturer's identification and catalog number, model number or other product designation as specified under "Marking" for the particular Recognition as published in the appropriate UL Directory.

**Look for the UL Recognized Component Mark on the product**

Issued by: *Ronni Kulzinger*  
**Ronni Kulzinger, Engineering Team Leader**

Reviewed by: *Andreas Entzeroth*  
**Andreas Entzeroth, Engineering Group Leader**

UL International Germany GmbH  
Any information and documentation provided to you involving UL Mark services are provided on behalf of Underwriters Laboratories Inc.  
For questions in Germany, you may call +49 0 6102 369 0.



For additional technical information and help,  
contact the following:

Installations-

**Greg Hutchens**

c 205.902.6164

greg.hutchens@coronagroupinc.com.com

Customer Service-

**Alicia Burrows**

p 205.305729.7

alicia.burrow@coronagroupinc.com.com



---

where custom is standard

205.941.1942

Birmingham, AL

info@coronagroupinc.com

coronagroupinc.com