



## MERGE Rail Frameless Porcelain Assembly/Mounting Instructions

2 Rails • 3 Rails

## Merge Rail 2 Rail Sliding Installation Instructions

### Provided:

- a. 1<sup>1/2</sup>" x 1<sup>1/2</sup>" Aluminum Rail
- b. Clip-on Mounting Brackets
- c. Angle Mounting Brackets
- d. Drywall Anchors
- e. 3/4" Drywall Screws
- f. 5/16" - 18 x 1/2" Button Head Bolts
- g. Rail Glides and all Thread
- h. Roller Brackets (optional)
- i. Large Porcelain Board
- j. Small Porcelain Board

### Tools Needed:

1. Laser Level/Level
2. Drill
3. 1/4" Drill Bit
4. Provided Install Jigs
5. Tape Measure
6. Standard Allen Wrench Set

### Installation:

1. Mark a line 1 1/2" below where you would like the top of the system installed, preferably using a laser level.
2. Locate the edges of the rail left and right and mark 1/8" beyond on either side.  
(Figure 1)
3. Mark 3/8" above your horizontal line every 3' starting 3' from the edge of the rail. This will be used to locate the clip-on mounting brackets.

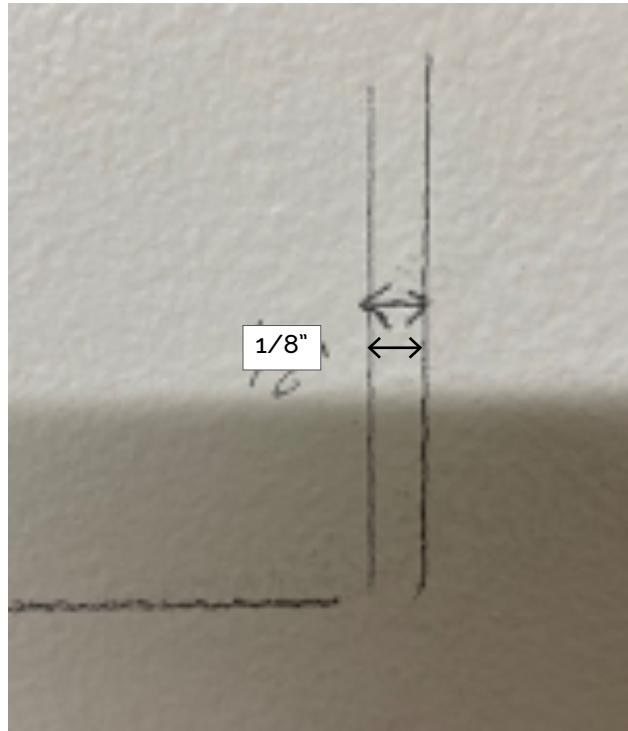


Figure 1

## Merge Rail 2 Rail Sliding Installation Instructions

4. Align the bottom of the clip-on mounting brackets with the marks from the previous step as shown in **Figure 2** and mark each screw hole on the wall.
5. To insert the drywall anchor, predrill each screw hole using a  $\frac{1}{4}$ " drill bit and use short bursts with a drill to screw them into the wall.
6. Screw the clips to the wall using  $\frac{3}{4}$ " flat head drywall screws. The screws must be flat head to allow the rail to clip onto the mounting bracket.
7. Verify the end locations by holding up the rail to the wall. Make sure that your marks  $\frac{1}{8}$ " outside are correct.
8. Align the angle mounting bracket as shown in **Figure 3** to the line  $\frac{1}{8}$ " from the edge of the rail and screw to the wall using the same method as steps 5-6. The leg with the drywall screws should be covered by the rail after it is installed.

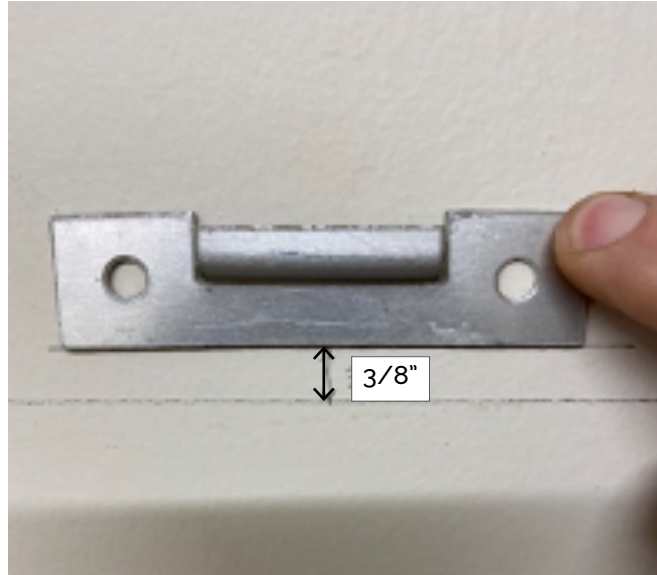


Figure 2

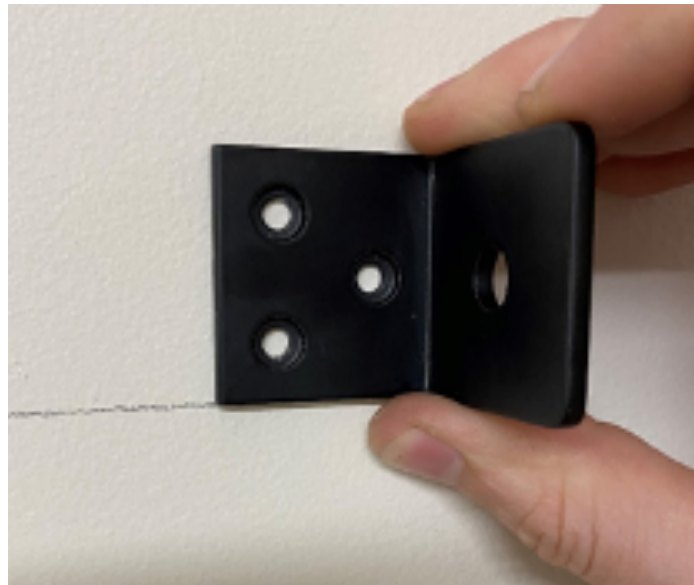


Figure 3 (right side)

## Merge Rail 2 Rail Sliding Installation Instructions

9. Lift the top aluminum rail without the plastic spacer onto the clip-on mounting brackets. The bracket will fit into the slot facing the wall and lock into place with slight downward pressure.
10. Take the provided  $5/16"$ -18 x  $1/2"$  screws and thread them through the angle mounting brackets into the ends of the aluminum rail.
11. Fit the provided install jigs on either end of the installed rail in the desired orientation shown in **Figure 4**. Re-align the laser level to the bottom of the lower cutout. The bottom rail will have a plastic spacer in the top slot. Repeat steps 3-9.
12. Replace the install jigs to verify correct placement.
13. Slide two rail glides connected by all thread into the rail slot that will be facing outwards from the wall when the plastic spacer is facing up. **Figure 5**.



Figure 4

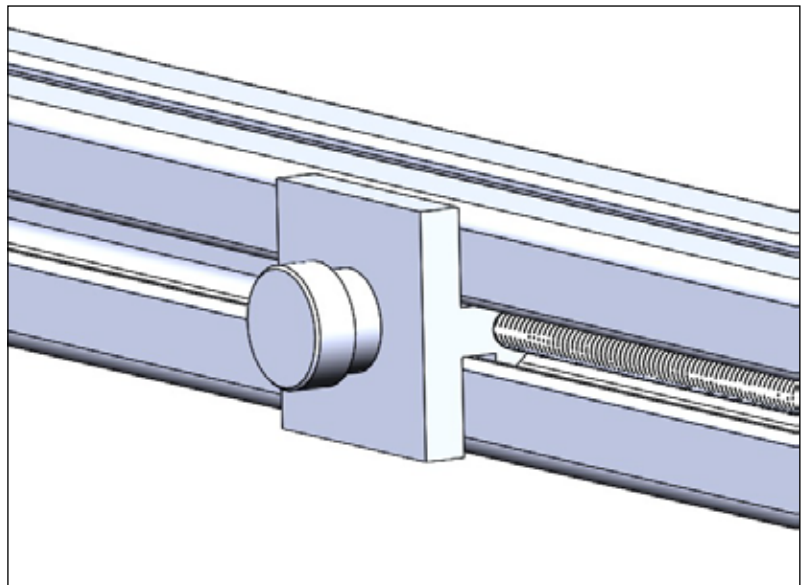


Figure 5

## Merge Rail 2 Rail Sliding Installation Instructions

14. Take the provided 5/16" -18 x 1/2" screws and thread them through the angle mounting brackets into the ends of the bottom aluminum rail.
15. After both rails are installed and their placement has been verified, place two roller brackets onto the top rail as shown in **Figure 6**. Remove the cap from both the roller brackets and the rail glides.
16. Fit a large board onto all four exposed barrels and replace the caps to secure the board to the rails. **Figure 7**. The board will be able to slide back and forth across the whole system.
17. To fit the smaller boards into the rail system, insert the top edge of a smaller board into the bottom slot of the top rail. The bottom of the board will now be able to swing in and rest on the plastic spacer on the lower rail.

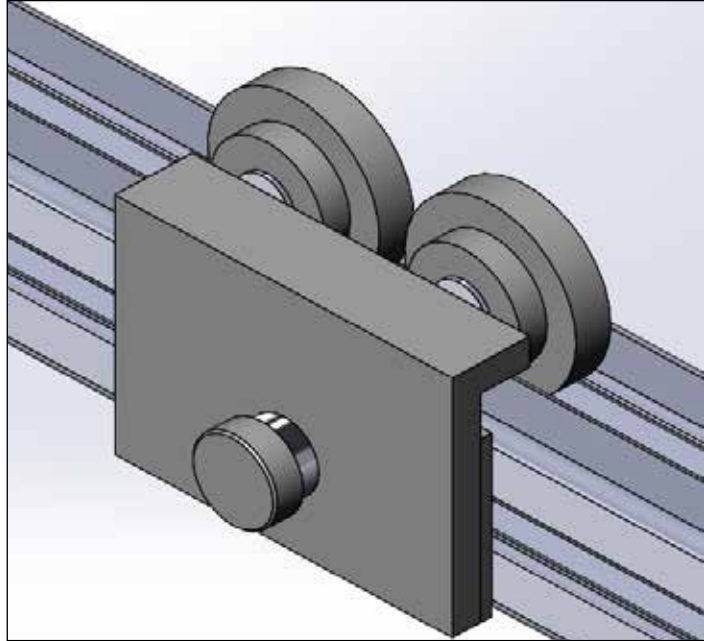


Figure 6

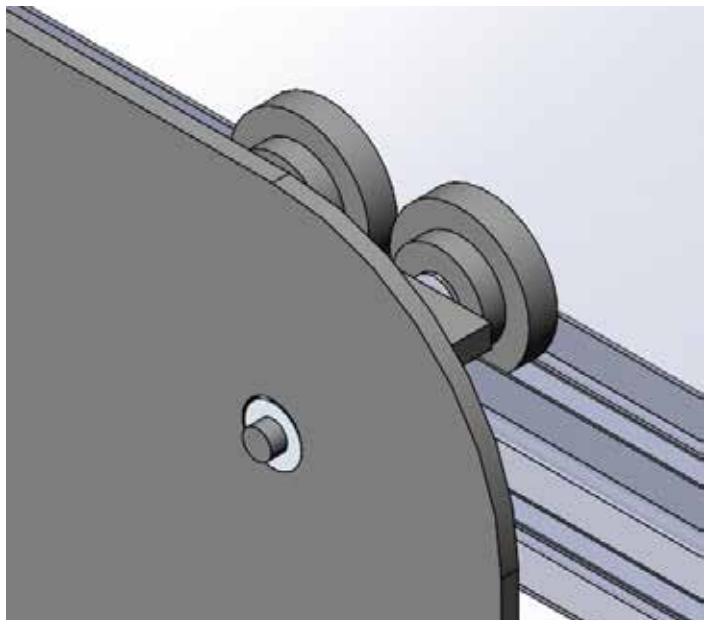


Figure 7

## Section 2—Merge Rail w/Standard Merge Combination Installation Instructions

Some Merge Rail systems will include a wall mounted white-board inside of the rails.

**This section may be disregarded if this is not the case.**

1. After installing and verifying the placement of the Merge Rails (step 12 in the previous section), remove the top rail and top angle mounting brackets and set them aside.
2. Follow standard Merge installation instructions, locating the board between the two horizontal rails.

[Click for Merge Installation Instructions](#)

3. After wall mounted Merge is hung, replace the top rail.

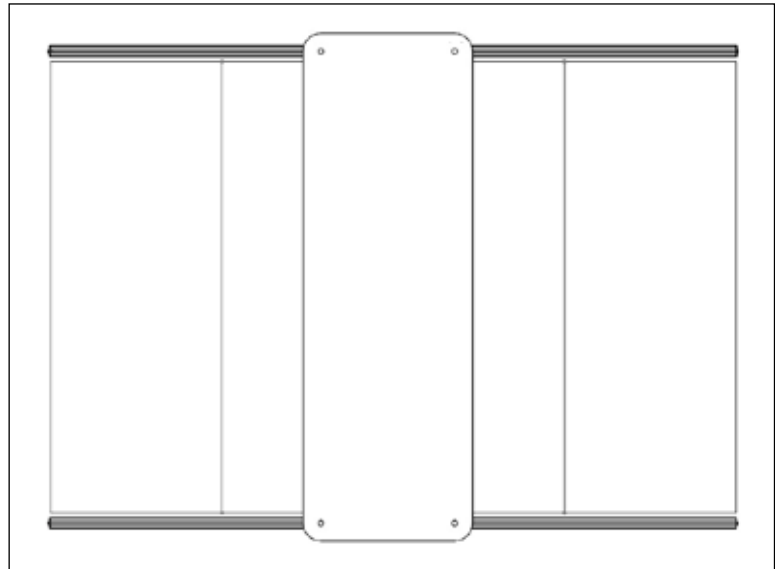


Figure 8

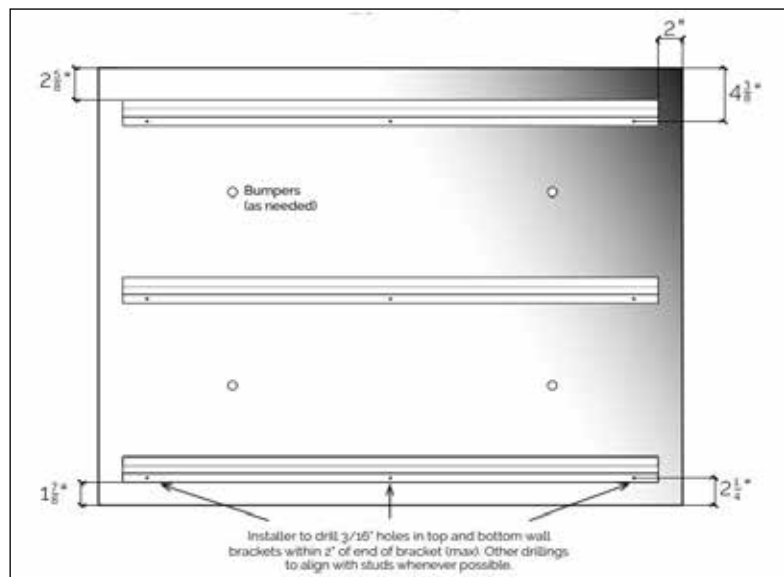


Figure 9



## Merge Rail 3 Rail Sliding Installation Instructions

### Provided:

- a. 1 $\frac{1}{2}$ " Aluminum Rail Lengths
- b. Frameless Porcelain Steel Boards
- c. Clip-on Mounting Brackets
- d. Angle Mounting Brackets
- e. Butt Connectors (optional)
- f. 5/16" - 18 x 1/2" Button Head Bolts

### Tools Needed:

1. Laser Level/Level
2. Drill
3. Provided Install Jigs
4. Tape Measure
5. 3/4" Flat Head Drywall Screws

### Installation:

1. Mark a line 1  $\frac{1}{2}$ " below where you would like the top of the system installed, preferably using a laser level.
2. Locate the edges of the rail left and right and mark 1/8" beyond on either side.  
(Figure 1)
3. Mark 3/8" above your horizontal line every 3' starting 3' from the edge of the rail. This will be used to locate the clip-on mounting brackets.

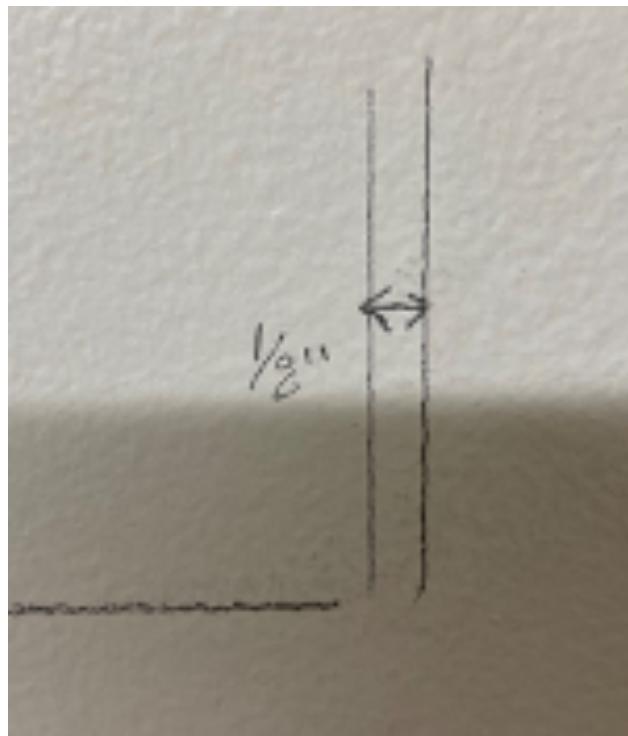


Figure 1

## Merge Rail 3 Rail Sliding Installation Instructions

4. Align the bottom of the clip-on mounting brackets with the marks from the previous step as shown in (Figure 2) and screw to the wall using  $\frac{3}{4}$ " flat head drywall screws. The screws must be flat head to allow the rail to clip onto the mounting bracket.
5. If the system length is over 240", your rails may need to be spliced together using a butt connector. Position the butt connector in the back slot so that 3 set screws engage each rail. Making sure that the rails are in line with one another, tighten the set screws.
6. Verify the end locations by holding up the rail to the wall. Make sure that your marks  $\frac{1}{8}$ " outside are correct.
7. Align the angle mounting bracket as shown in (Figure 3) to the line  $\frac{1}{8}$ " from the edge of the rail and screw to the wall using the same  $\frac{3}{4}$ " flat head drywall screws. The flange with the drywall screws should be covered by the rail after it's installed.



Figure 2

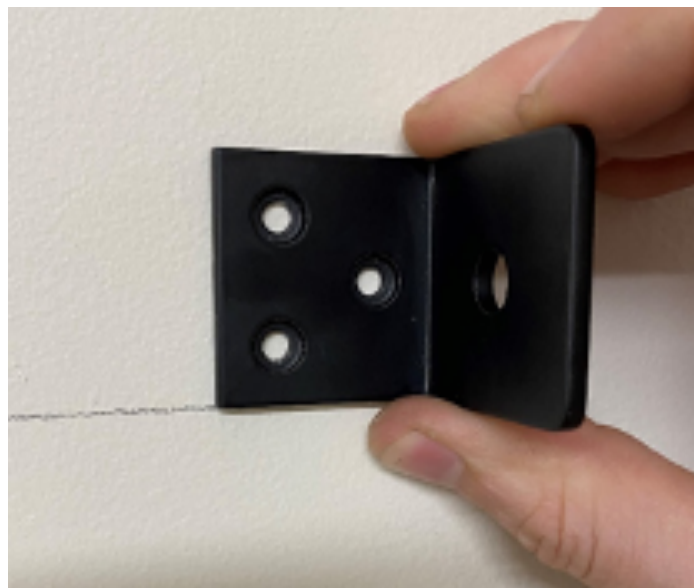


Figure 3 (right side)



## Merge Rail 3 Rail Sliding Installation Instructions

8. Lift the top aluminum rail without the plastic insert, smooth side out, onto the clip-on mounting brackets. The rail should slip onto the bracket with slight downward pressure and be locked in place.
9. Take the provided 5/16"-18 x 1/2" screws and thread them through the angle mounting brackets into the ends of the aluminum rail.
10. Fit the provided install jigs on either end of the middle rail in the same orientation as the top rail. The middle and bottom rails will have a plastic insert that will face upwards. Hang the middle rail from the top using the install jig. (Figure 4)
11. Holding the middle rail against the wall, mark where the bottom of the rail lands and remove the rail and install jigs.
12. Repeat steps 2-8 to install the middle rail.
13. Using the same method to locate the middle rail, locate the bottom rail and repeat steps 2-8 to complete installation.



Figure 4

## Merge Rail 3 Rail Sliding Installation Instructions

