

INTERSECTION FIXED PANELS Ceiling Grid Mounting Instructions

1. Determine where the ceiling grid clips will be placed. They should be no more than 24" apart.

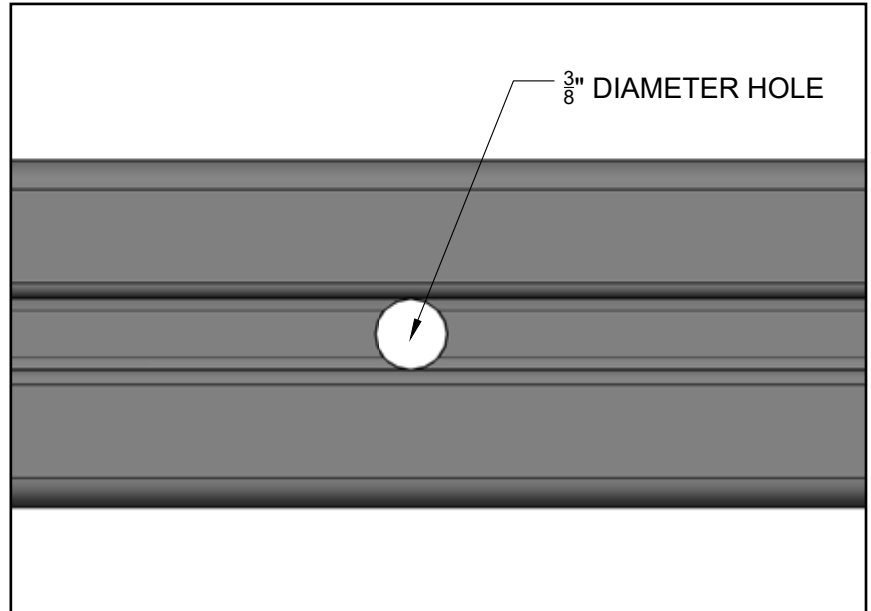


Figure A

2. Mark and drill through holes (3/8") on the top horizontal piece based on the ceiling grid clip positions. (Figure A)

3. Thread the floor glides into the tapped end of the uprights. (Figure B)

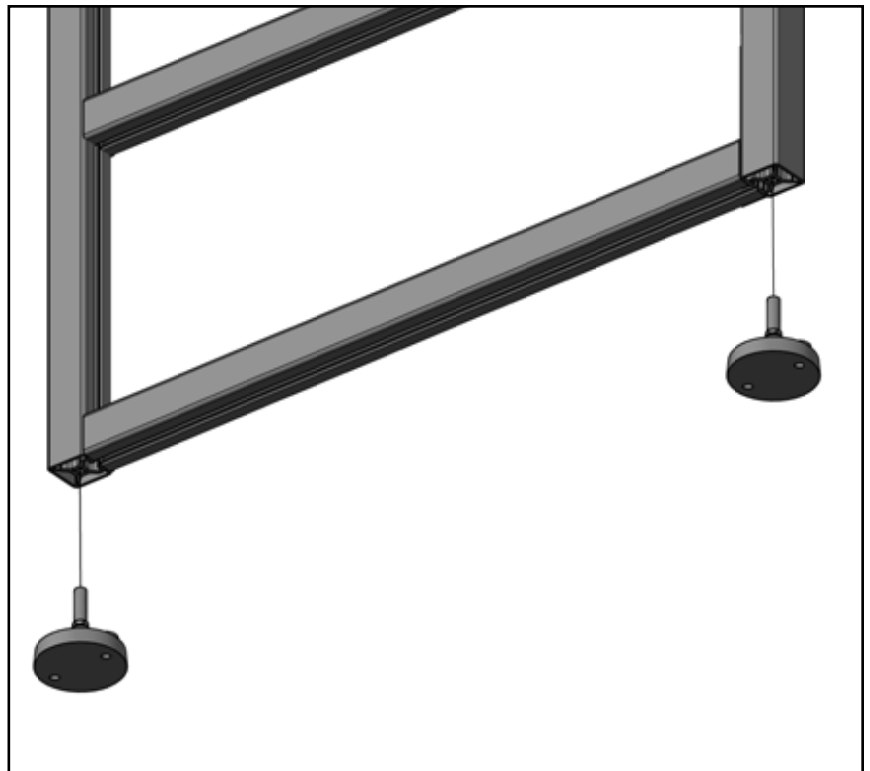


Figure B

INTERSECTION FIXED PANELS Ceiling Grid Mounting Instructions

4. Once the holes are drilled and the glides are installed, the panel can be lifted into place.

An extra person may be needed to guide the ceiling grid clips through the holes.
(Figure C)

5. Adjust the floor glides to level and plumb the panel also raising it tight to the ceiling.

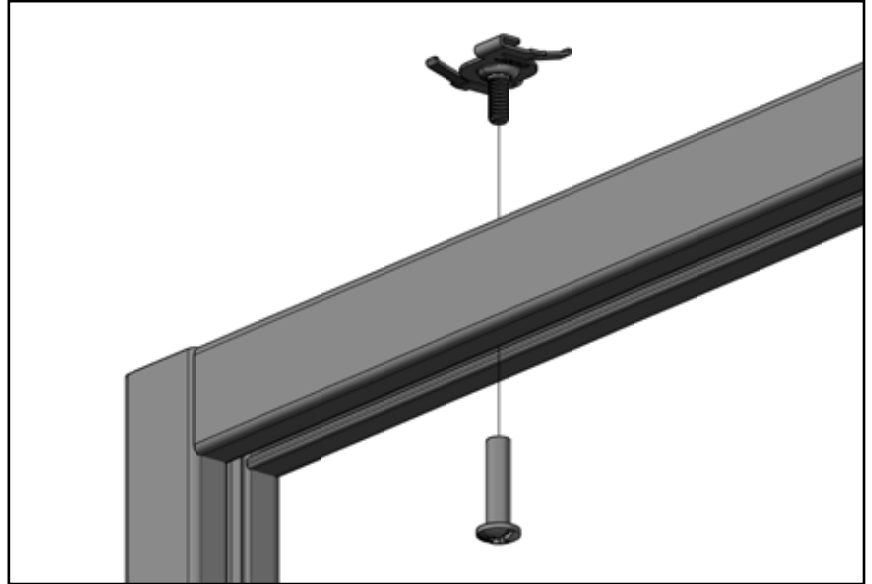


Figure C

6. Once level and plumb, tighten the sex bolts through the bottom of the top horizontal piece onto the ceiling grid clips.

Note: The floor glides have punch outs that can be used to fix the glides to the floor if desired.

See Panel Assembly Document when receiving a KD shipment.