

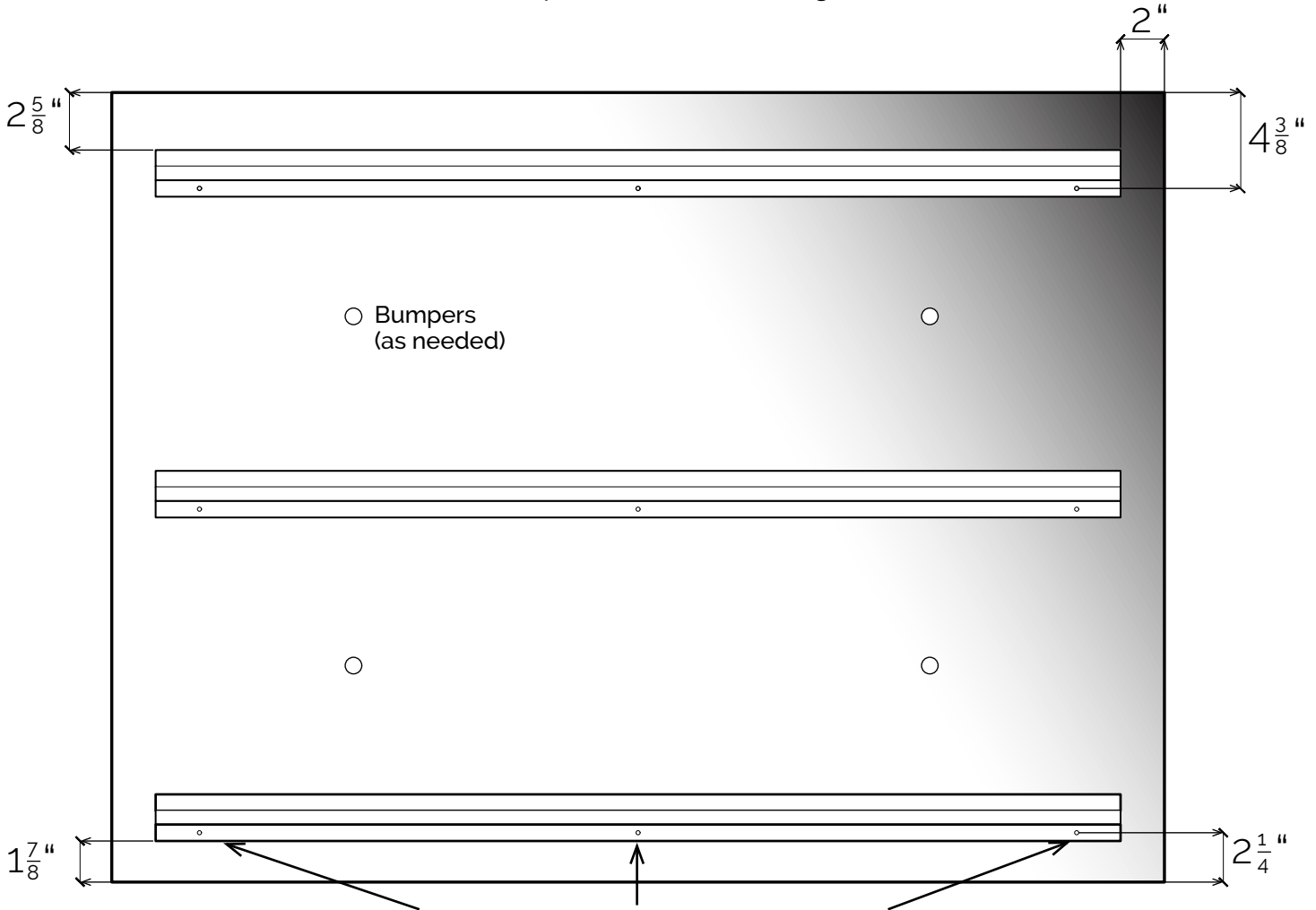


MERGE Frameless Porcelain Assembly/Mounting Instructions

Frameless Wall Boards • Spline Boards
2 Rail System

Merge Frameless Porcelain Mounting Instructions

1/4" square – 1/2" knife edge



Installer to drill 3/16" holes in top and bottom wall brackets within 2" of end of bracket (max). Other drillings to align with studs whenever possible.

Board height in inches	Rows of Z Clips/board
Less than 36"	2
Greater than 36"/less than 60"	3
Greater than 60"/less than 96"	4
Greater than 96"	5

Items included (per board)
*Quantity based on height of board
Wall Z Clips
#8 Self-Tapping Pan Head Screws
75lb Screw-type Hollow Wall Anchors

**Quantity based on width of board

IMPORTANT! To be properly secured, the board must be "seated" in all WALL brackets from top to bottom.

Merge Frameless Porcelain Mounting Instructions

1/4" square — 1/2" knife edge

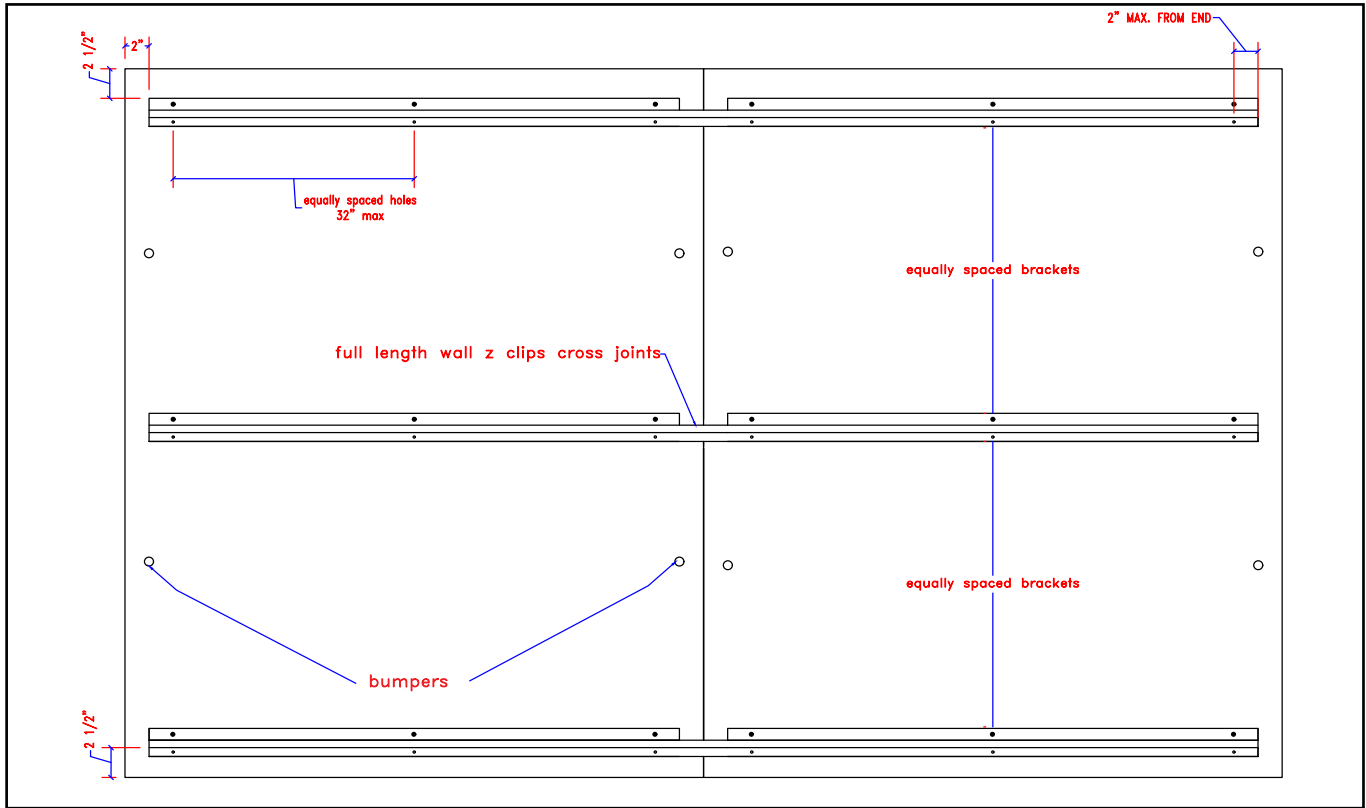
Notes on Installation:

1. ALWAYS anchor the wall mounted brackets into the structural framing (studs) whenever possible. DO NOT exceed recommended spacing between wall anchors.
2. The wall mounted brackets MUST be installed level and parallel to each other with accurate spacing to ensure a safe and proper installation. Always verify spacing by measuring distance between the brackets mounted to the back the markerboard.
3. If the wall is not "flat" shims may be required between the wall mounted bracket and wall surface.
4. Place the rubber bumpers provided, equally spaced, between the brackets as shown to eliminate movement or "bounce" and to ensure a level writing surface and to reduce any unnecessary stress on the board.
5. If additional brackets are in place on the back of the Marker Board, it is **IMPERATIVE** the installers mount all wall brackets provided to guarantee proper performance of the Marker Board.

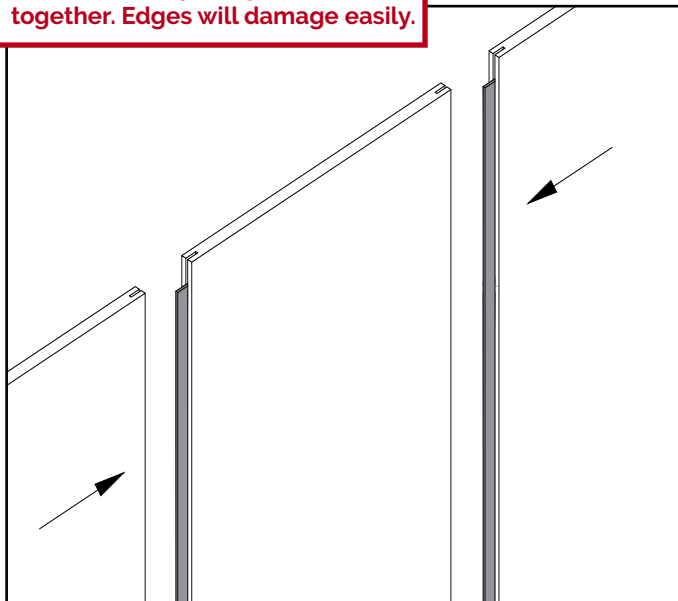
WARNING: Danger if improperly installed. Installation must be done by a qualified professional. Check the suitability of the wall and ceiling, and make sure that the fastening devices will withstand the loads.

For disposal, the components should be divided by type of material if possible. In any case, this product can be recycled at a community recycling center.

Merge Frameless Spline Boards Mounting Instructions



NOTE: Carefully bring all boards together. Edges will damage easily.



Installer to drill 3/16" holes in top and bottom wall brackets within 2" of end of bracket (max).
Other drillings to align with studs whenever possible.

Board height in inches	Rows of Z Clips/board
Less than 36"	2
Greater than 36"/less than 60"	3
Greater than 60"/less than 96"	4
Greater than 96"	5

IMPORTANT! To be properly secured, the board must be "seated" in all WALL brackets from top to bottom.

- Items included (per board)**
- *Quantity based on height of board**
- Wall Z Clips
 - #8 Self-Tapping Pan Head Screws
 - 75lb Screw-type Hollow Wall Anchors

NOTE:

- Wall mounted "Z" Clips packed together.
- Mount wall mounted "Z" Clips to align with "Z" Clips on back of board.

Merge Rail 2 Rail Sliding Installation Instructions

Provided:

- a. 1^{1/2}" x 1^{1/2}" Aluminum Rail
- b. Clip-on Mounting Brackets
- c. Angle Mounting Brackets
- d. Drywall Anchors
- e. 3/4" Drywall Screws
- f. 5/16" - 18 x 1/2" Button Head Bolts
- g. Rail Glides and all Thread
- h. Roller Brackets (optional)
- i. Large Porcelain Board
- j. Small Porcelain Board

Tools Needed:

1. Laser Level/Level
2. Drill
3. 1/4" Drill Bit
4. Provided Install Jigs
5. Tape Measure
6. Standard Allen Wrench Set

Installation:

1. Mark a line 1 1/2" below where you would like the top of the system installed, preferably using a laser level.
2. Locate the edges of the rail left and right and mark 1/8" beyond on either side.
(Figure 1)
3. Mark 3/8" above your horizontal line every 3' starting 3' from the edge of the rail. This will be used to locate the clip-on mounting brackets.

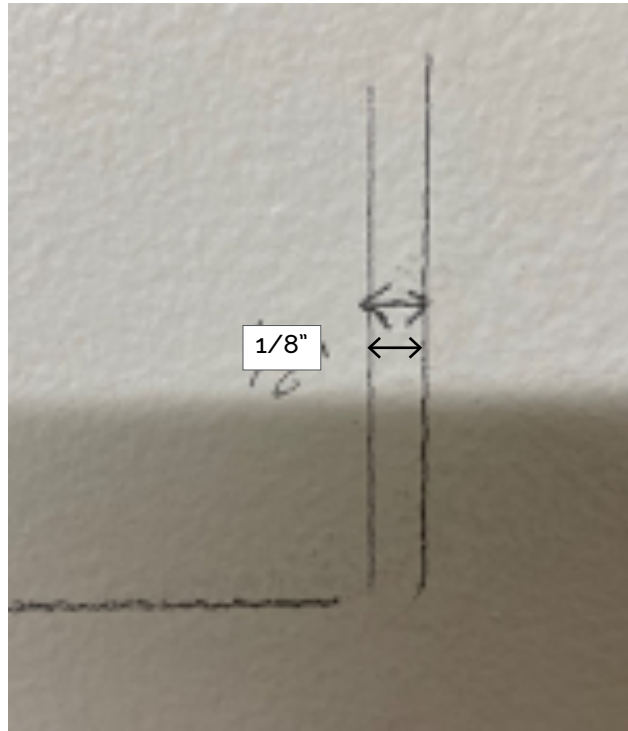


Figure 1

Merge Rail 2 Rail Sliding Installation Instructions

4. Align the bottom of the clip-on mounting brackets with the marks from the previous step as shown in **Figure 2** and mark each screw hole on the wall.
5. To insert the drywall anchor, predrill each screw hole using a $\frac{1}{4}$ " drill bit and use short bursts with a drill to screw them into the wall.
6. Screw the clips to the wall using $\frac{3}{4}$ " flat head drywall screws. The screws must be flat head to allow the rail to clip onto the mounting bracket.
7. Verify the end locations by holding up the rail to the wall. Make sure that your marks $\frac{1}{8}$ " outside are correct.
8. Align the angle mounting bracket as shown in **Figure 3** to the line $\frac{1}{8}$ " from the edge of the rail and screw to the wall using the same method as steps 5-6. The leg with the drywall screws should be covered by the rail after it is installed.

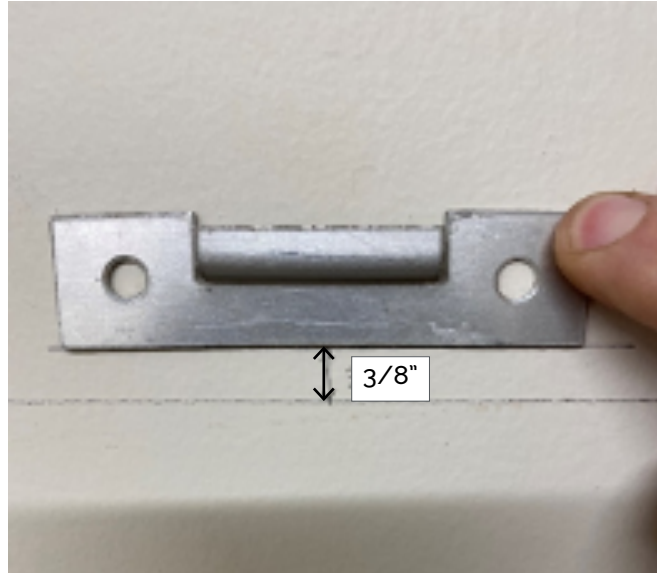


Figure 2

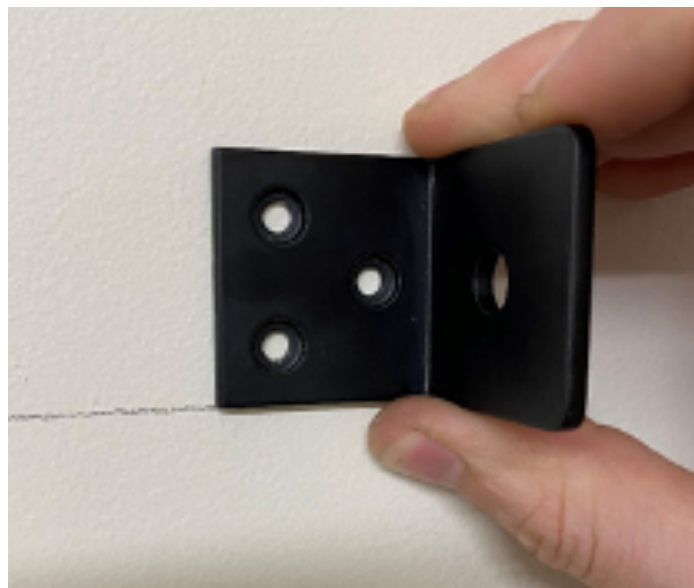


Figure 3 (right side)

Merge Rail 2 Rail Sliding Installation Instructions

9. Lift the top aluminum rail without the plastic spacer onto the clip-on mounting brackets. The bracket will fit into the slot facing the wall and lock into place with slight downward pressure.
10. Take the provided $5/16"$ -18 x $1/2"$ screws and thread them through the angle mounting brackets into the ends of the aluminum rail.
11. Fit the provided install jigs on either end of the installed rail in the desired orientation shown in **Figure 4**. Re-align the laser level to the bottom of the lower cutout. The bottom rail will have a plastic spacer in the top slot. Repeat steps 3-9.
12. Replace the install jigs to verify correct placement.
13. Slide two rail glides connected by all thread into the rail slot that will be facing outwards from the wall when the plastic spacer is facing up. **Figure 5**.



Figure 4

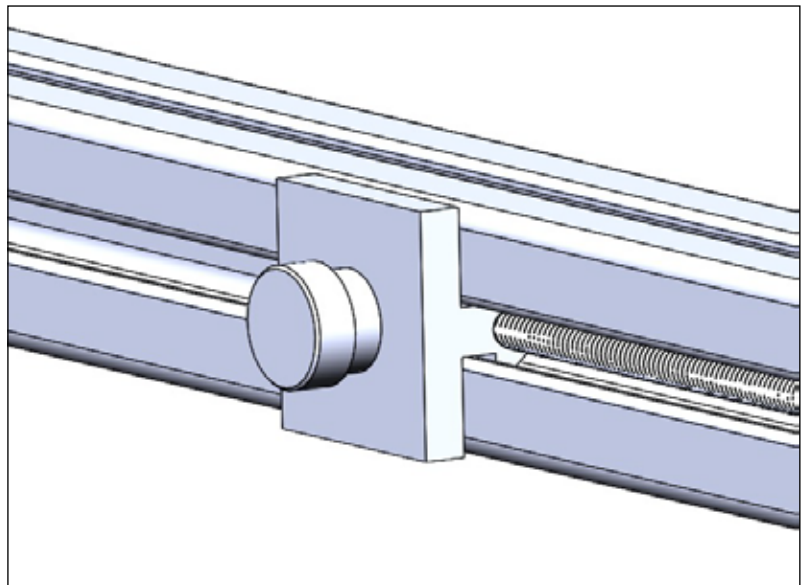


Figure 5

Merge Rail 2 Rail Sliding Installation Instructions

14. Take the provided 5/16" -18 x 1/2" screws and thread them through the angle mounting brackets into the ends of the bottom aluminum rail.
15. After both rails are installed and their placement has been verified, place two roller brackets onto the top rail as shown in **Figure 6**. Remove the cap from both the roller brackets and the rail glides.
16. Fit a large board onto all four exposed barrels and replace the caps to secure the board to the rails. **Figure 7**. The board will be able to slide back and forth across the whole system.
17. To fit the smaller boards into the rail system, insert the top edge of a smaller board into the bottom slot of the top rail. The bottom of the board will now be able to swing in and rest on the plastic spacer on the lower rail.

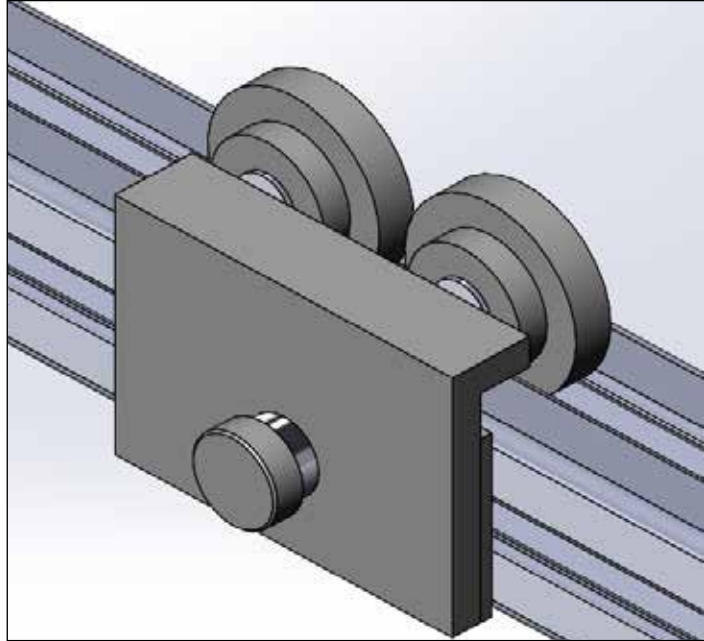


Figure 6

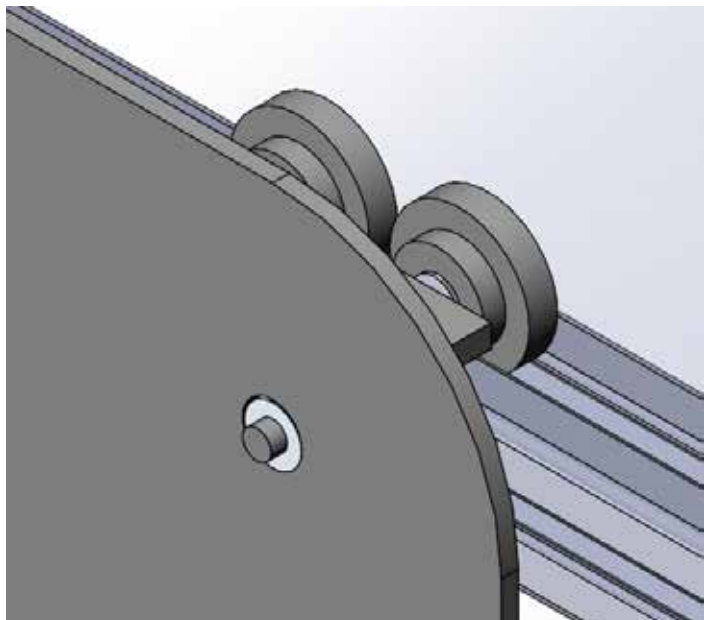


Figure 7

Section 2—Merge Rail w/Standard Merge Combination Installation Instructions

Some Merge Rail systems will include a wall mounted white-board inside of the rails.

This section may be disregarded if this is not the case.

1. After installing and verifying the placement of the Merge Rails (step 12 in the previous section), remove the top rail and top angle mounting brackets and set them aside.
2. Follow standard Merge installation instructions, locating the board between the two horizontal rails.

[Click for Merge Installation Instructions](#)

3. After wall mounted Merge is hung, replace the top rail.

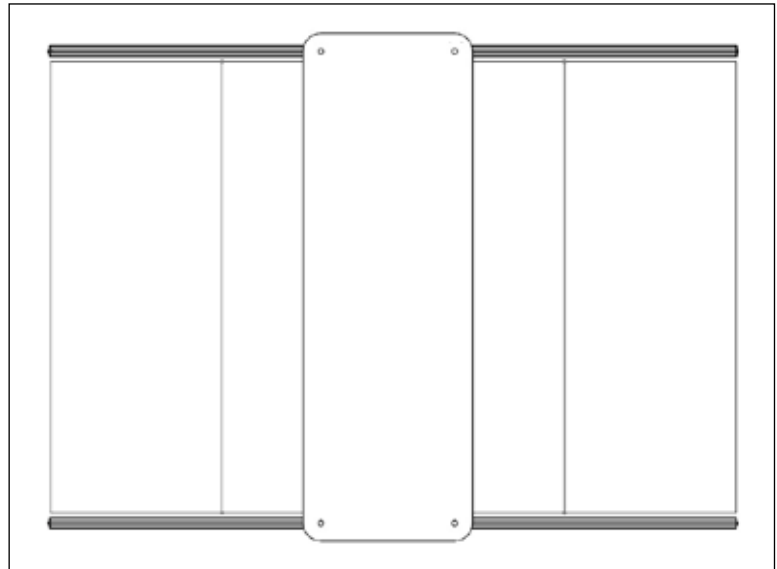


Figure 8

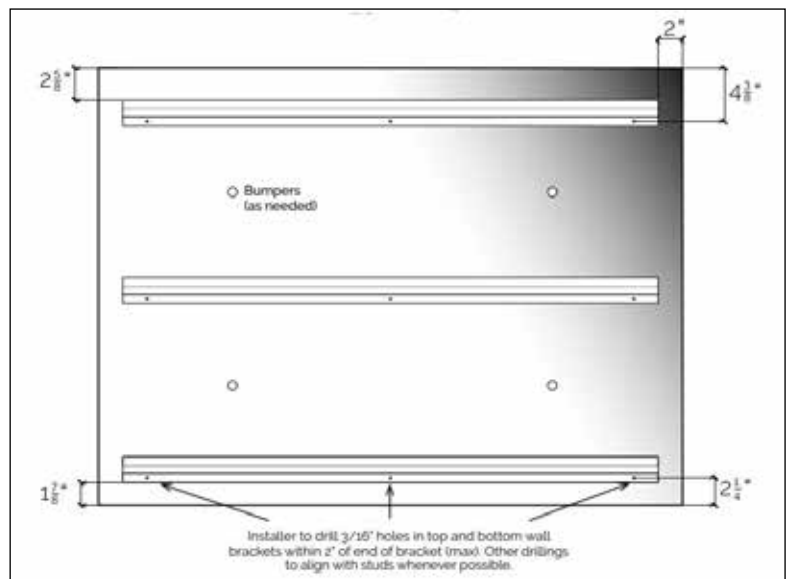


Figure 9