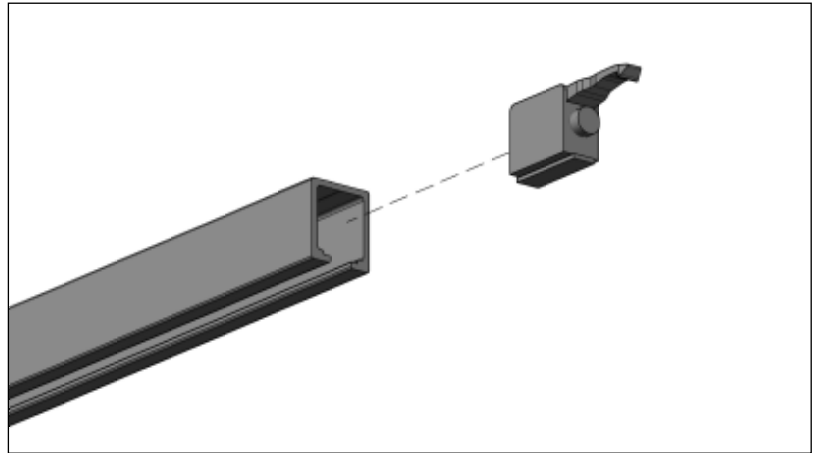


## Intersection Slide Top Hung Mounting Instructions

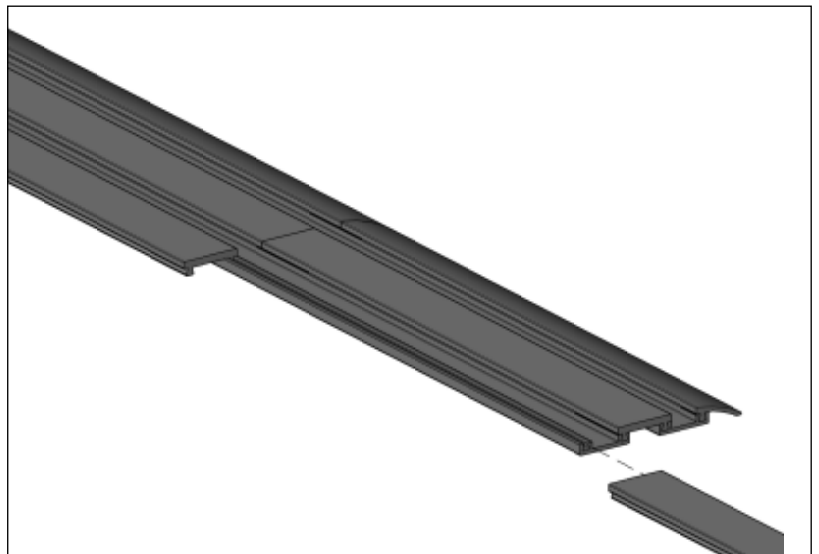
1. Attach the long sections of the upper tracks to ceiling using screws provided (tap-con/ 2" self-drilling), or appropriate anchors for your conditions. Shim as needed to ensure upper and lower tracks are parallel and level.

2. The stops need to be placed inside the upper tracks prior to loading the panels.

NOTE: Approximate Stop locations are indicated on drawings.



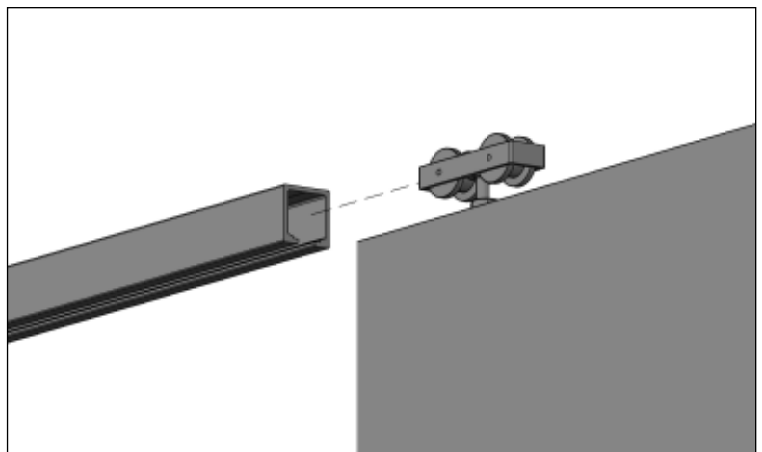
3. Mark the floor for the lower track so that it will be plumb and aligned with the upper track. (See Floor Track Assembly Instructions-attached)
4. Attach all sections of the lower track to the floor with the double stick tape provided.



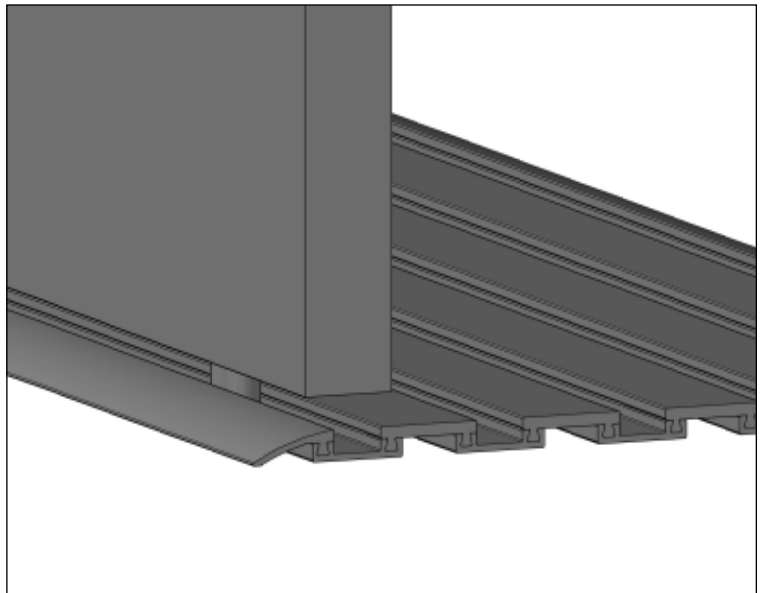
## Intersection Slide Top Hung Mounting Instructions

5. Thread the trolleys onto the panels. The trolleys should be located as close to each side as possible. Tighten the nuts to secure the bolts in place if provided. The aluminum body of the trolley should be around 7/8" from the top of the panel (see drawings). If the panel needs height/leveling adjustments, they can be done by rotating the trolleys (right will raise the panel and left will lower the panel).

6. Lifting the panels, slide the trolleys into the top track.



7. Under the bottom profile of each panel you will find the gravity fed plastic guide pins, remove the tape to allow them to fall into each track. If there is a binding issue, make necessary adjustments in the field.



## Intersection Slide Top Hung Mounting Instructions

8. Once all panels are hung, the small upper track sections can be hung.  
(make sure the stop for other side of the panel is in the track).
9. Test all panels for smooth movement and proper location of stops to ensure panels overlap and cover opening completely.

For questions & assistance contact:

**Greg Hutchens**

205.902.6164

[greg.hutchens@coronagroupinc.com](mailto:greg.hutchens@coronagroupinc.com)

## Intersection Slide Top Hung Mounting Instructions Floor Track Assembly

The floor track has three profiles: top, bottom, and sides. If the track will be under 118", all parts will be the same length. If the track will be over 118", the parts will come in 2 lengths, one shorter and one longer. This is so the joints can be offset and the full length can be assembled together. See drawing for reference.

The track pieces slide together using sliding dovetails. Clear silicone can be applied in the dovetail joints if you want them to be permanently secured.

Once the whole track is assembled the double sided foam tape can be applied on the bottom of the tracks.

